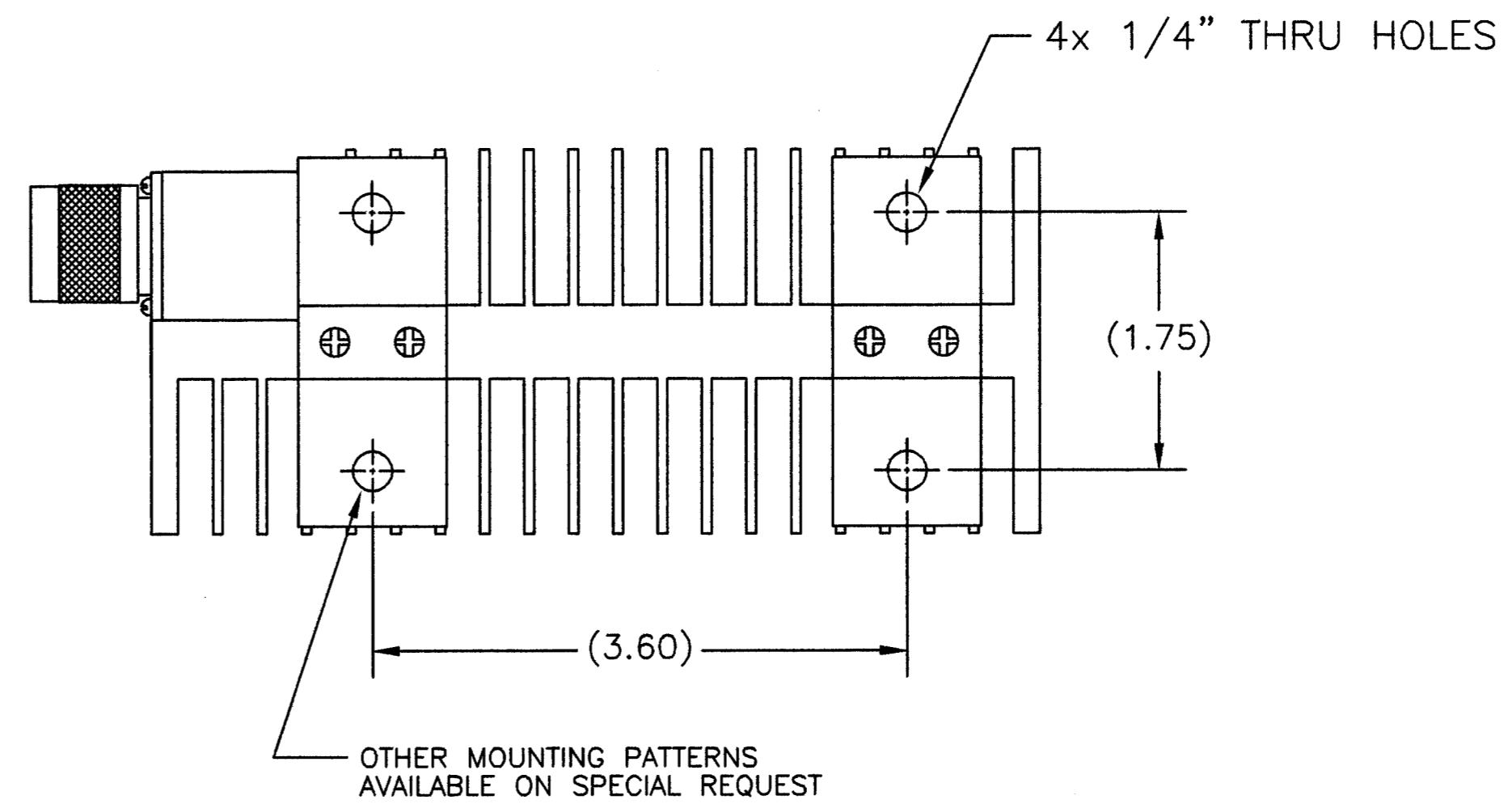
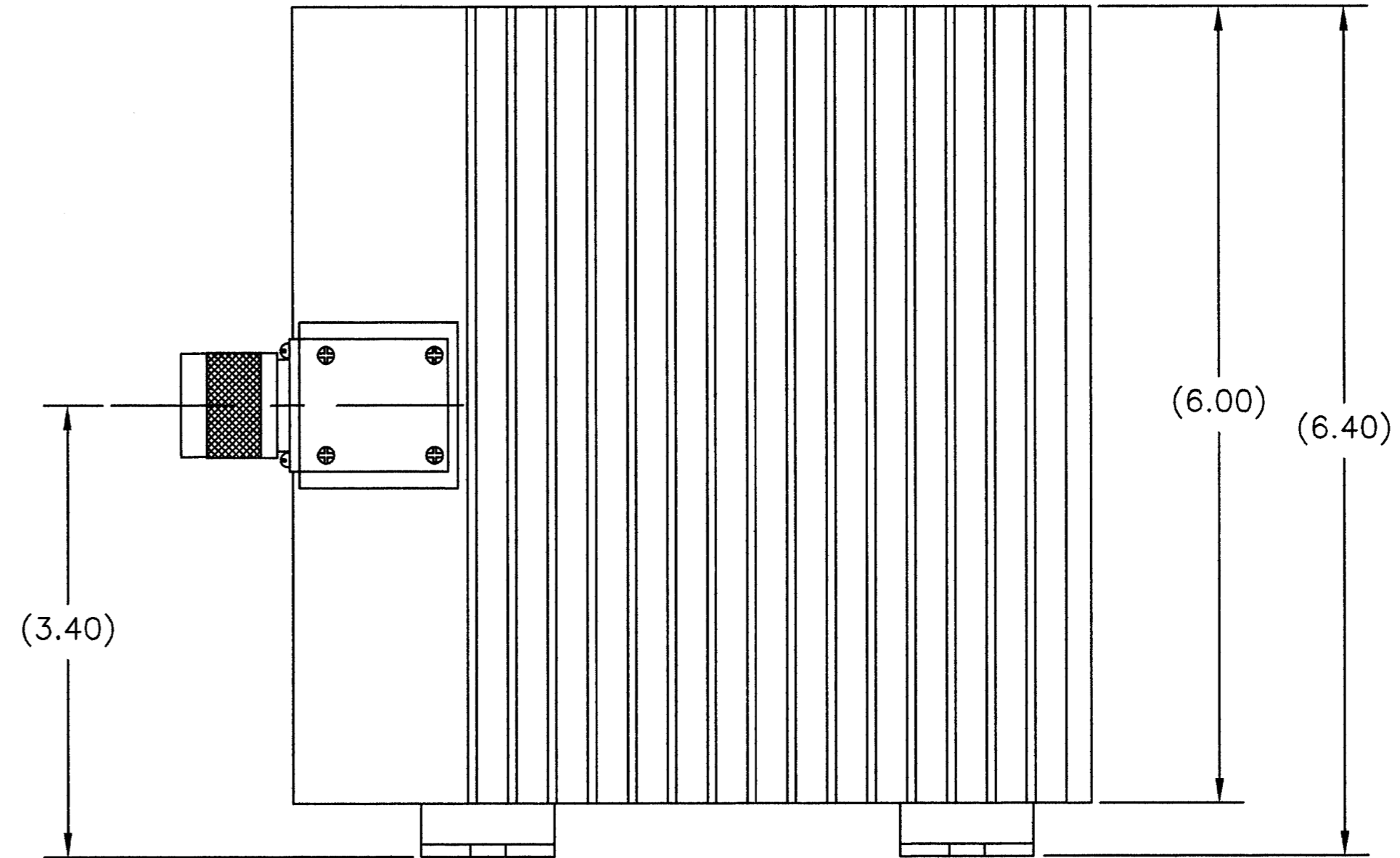
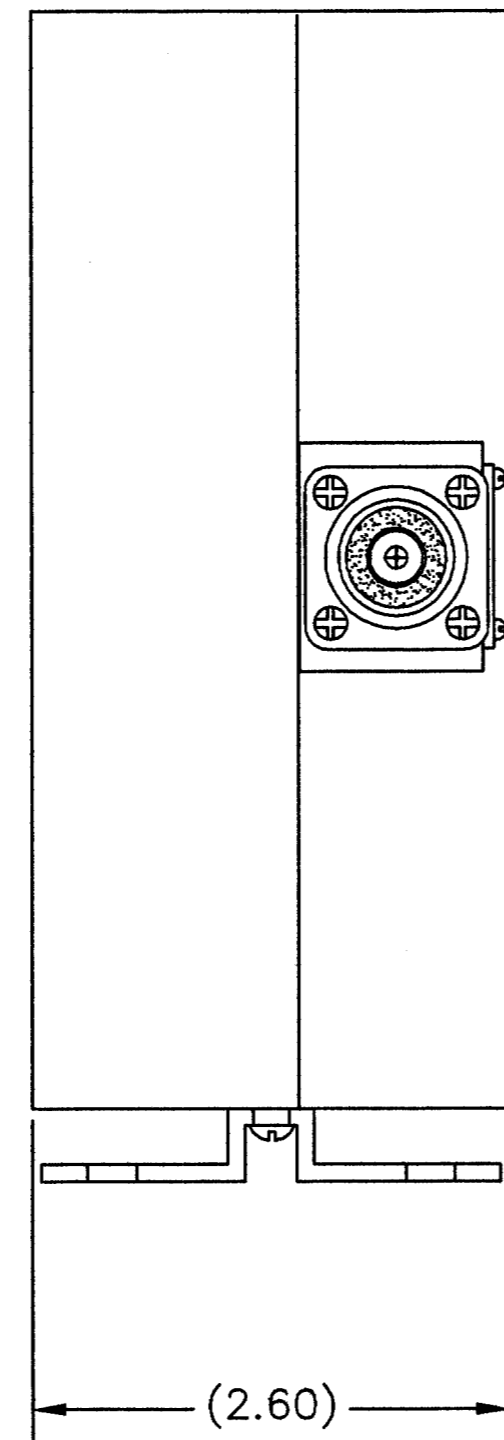
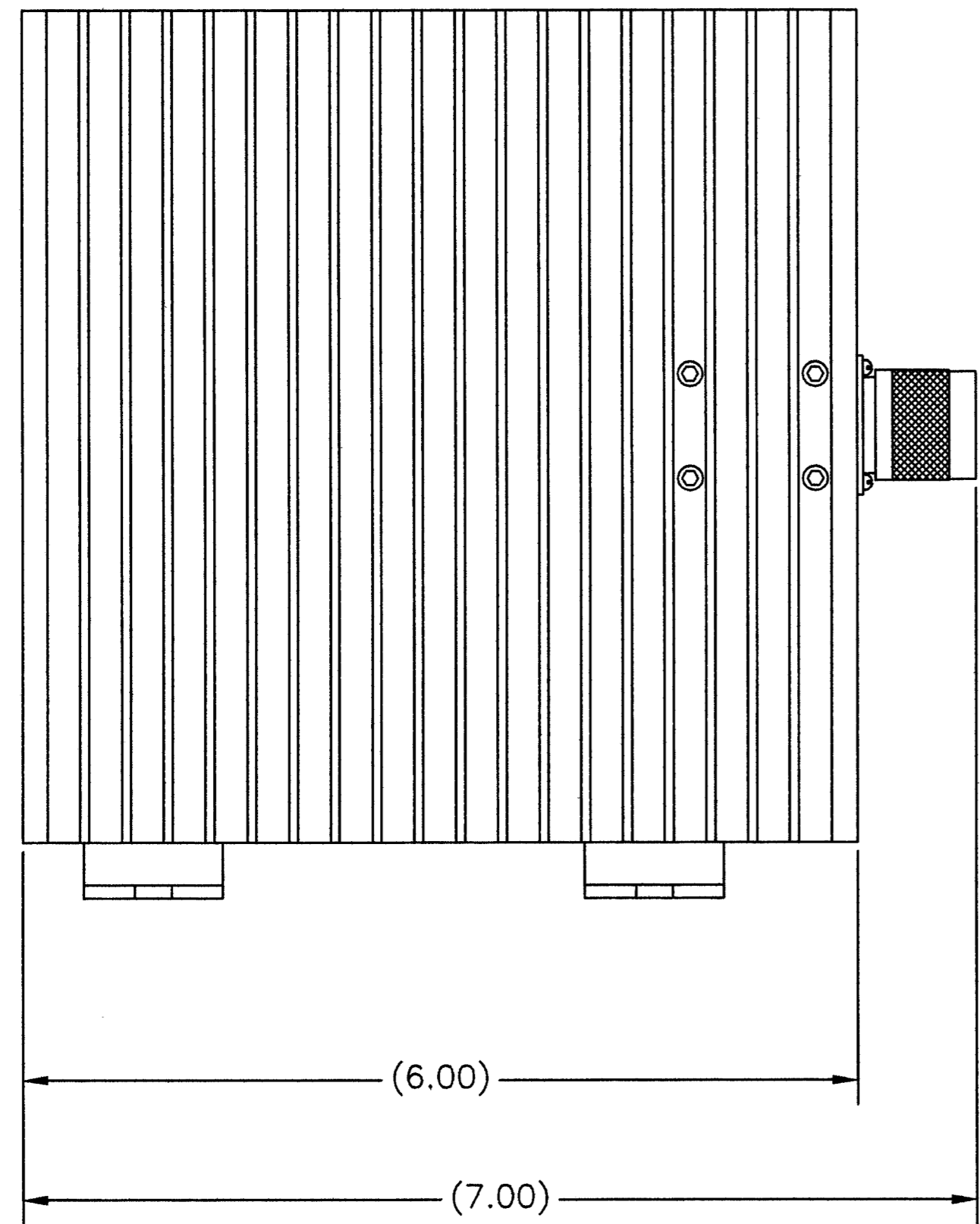


IMPEDANCE: 50 OHMS NOMINAL  
 FREQUENCY RANGE: DC TO 2.4GHz  
 VSWR: 1.10:1 DC TO 1 GHz  
 1.25:1 1 GHz TO 2.4GHz  
 POWER RATING: 100 WATTS MAX. @ 40°C.  
 125 WATTS MAX. @ 25°C.  
 COOLING FIN: ALUMINUM, BLACK ANODIZED  
 HEAT SPREADER: ALUMINUM, TRI-ALLOY PLATED  
 CONNECTOR: N-TYPE MALE, TRI-ALLOY PLATED

REVISIONS				
ZONE	REV	DESCRIPTION	DATE	APPROVED
A	ECN #0048		3-27-96	mev
B	ECN #0264		9-14-00	mev



DIMENSIONS HEREON ARE FOR CUSTOMER  
 CONVENIENCE AND REFERENCE ONLY.  
 TOLERANCE TO BE APPLIED ONLY WHERE  
 INDIVIDUALLY STATED ON THE RESPECTIVE  
 DIMENSION. -DO NOT SCALE DRAWING-

UNLESS OTHERWISE SPECIFIED DIMENSIONS ARE IN INCHES TOLERANCES ARE: FRACTIONS DECIMALS ANGLES $\pm 1/64$ $\pm 0.010$ $\pm 30'$ $\pm 0.005$ $\pm 0.005$ $\pm 30'$ DO NOT SCALE DRAWING	MILLIMETERS $\pm 0.4$ $\pm 0.12$	THIS DRAWING IS THE PROPERTY OF THE BIRD ELECTRONIC CORPORATION. THE DESIGNS AND SPECIFICATIONS DISCLOSED HEREON ARE PROPRIETARY AND SHALL NOT BE REPRODUCED, NOR COPIED, NOR USED AS THE BASIS FOR THE MANUFACTURE OR SALE OF APPARATUS OR DEVICES WITHOUT THEIR EXPRESS WRITTEN CONSENT.	
MATERIAL: _____ FINISH: _____	APPROVALS: _____ DATE: 11-8-02 DRAWN: D.M.RINK CHECKED: _____ APPROVED: <i>mev</i> 1-15-03	TITLE: TOP ASSY/ TERMINATION N-TYPE MALE, 100W SIZE: D FSCM NO. 70998 DWG. NO. 100-T-MN SCALE: 1:1 COMM CODE LD1 SHEET 1 OF 1	REV B